

# LOOP GLASS PUSH PLATE

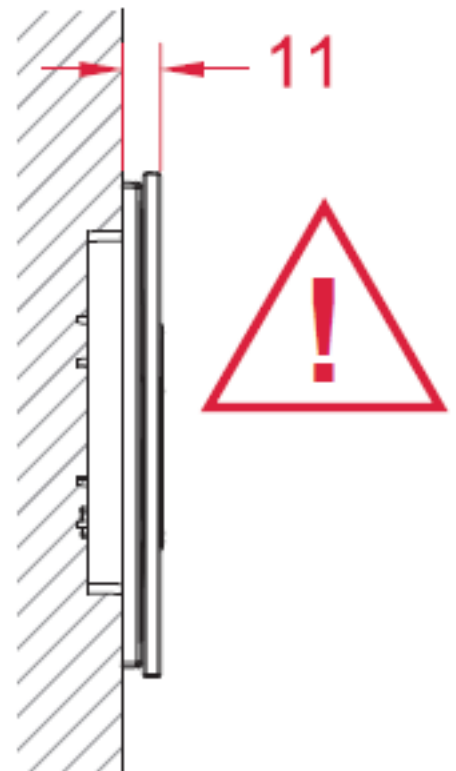
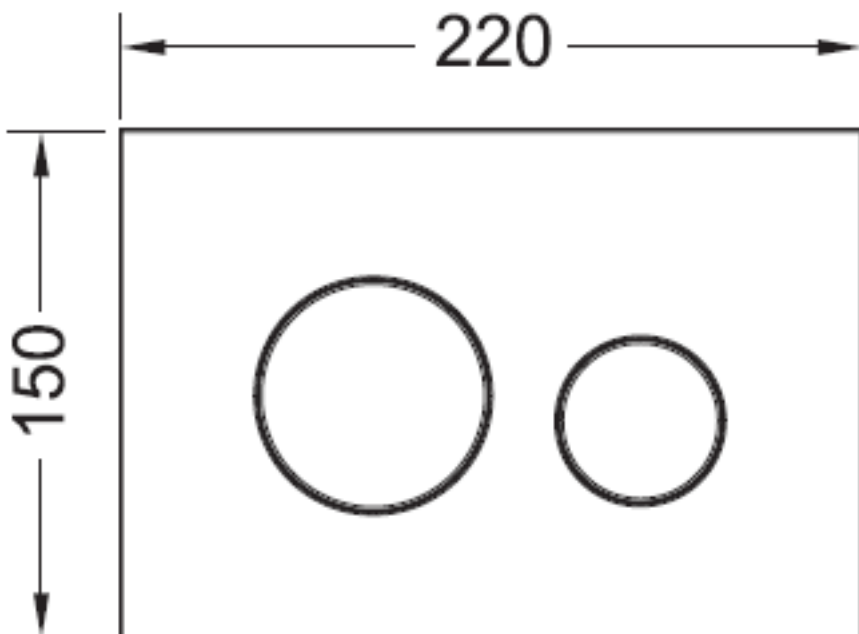
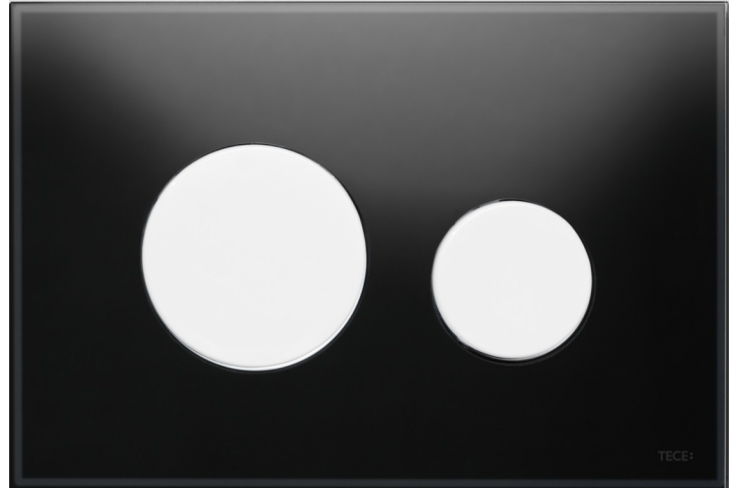
(9.240.654 - Black/White)

**TECE**  
close to you

Suitable for use with all TECE Cisterns

Sheeting Requirements (Prior to tiling):  
Standard Mount - 18mm non flex board  
Flush Mount - 25mm non flex board

Note:  
Flush mounting requires  
TECE Flush Mount Kit which is sold separately  
White - 9.240.646  
Black - 9.240.647  
Chrome - 9.240.649



Proudly imported and distributed by  
Gro Agencies Pty Ltd  
Unit 2 / 37 Howe St, Osborne Park, WA, 6017  
P 08 9446 3288 E [info@groagencies.com.au](mailto:info@groagencies.com.au) W [www.groagencies.com.au](http://www.groagencies.com.au)

**gro**  
agencies